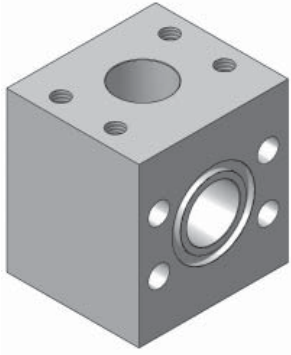


Elbow Block



FLOW, NEEDLE & CHECK VALVES

HYDRAULIC BALL VALVES

WELD COUPLINGS

FLANGES

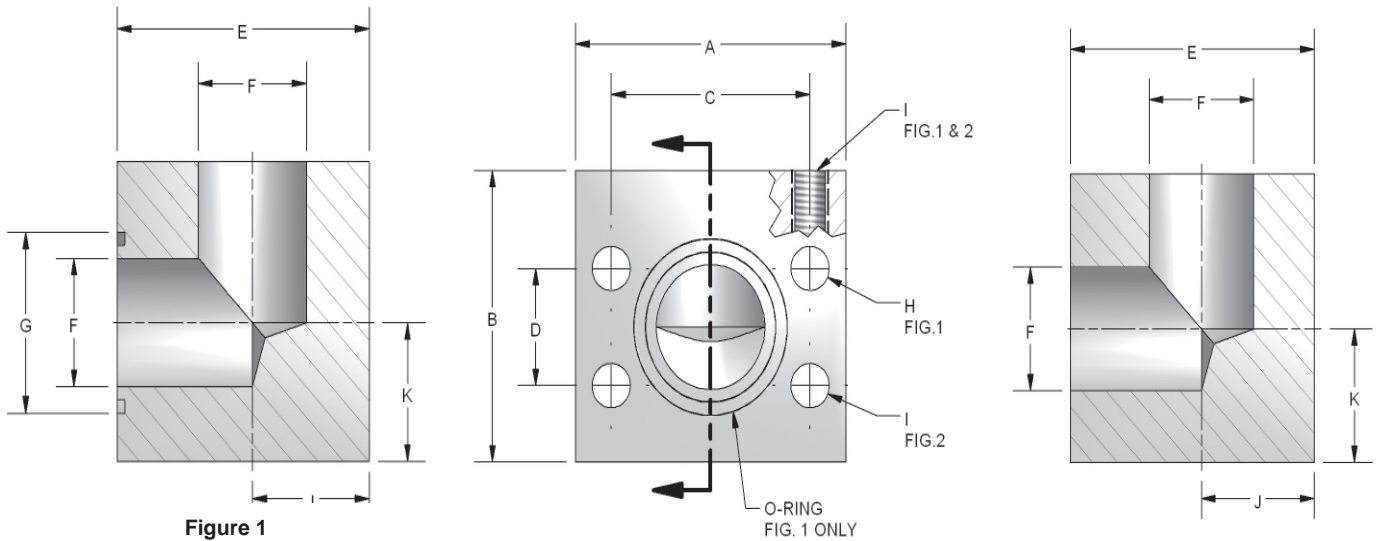


Figure 1

Figure 2

C61 ELBOW BLOCK

| PART NO. O-RING FIG. 1 | PART NO. FLAT FACE FIG. 2 | PAD SIZE | A | B | C | D | E | F | G | H | I UNC-2B | J | K | MOUNTING HARDWARE | |
|------------------------------|---------------------------------|-------------|------|------|-------|-------|------|------|-------|------|-------------|------|------|----------------------|--------------|
| | | | | | | | | | | | | | | O-RING | SHCS |
| W14-12 | W15-12 | .75 | 2.62 | 2.50 | 1.875 | .875 | 2.25 | .75 | 1.250 | .406 | 3/8-16 | 1.03 | 1.03 | 214 | 3/8-16X3.00 |
| W14-16 | W15-16 | 1.00 | 2.82 | 2.50 | 2.062 | 1.031 | 2.50 | 1.00 | 1.560 | .406 | 3/8-16 | 1.16 | 1.09 | 219 | 3/8-16X3.25 |
| W14-20 | W15-20 | 1.25 | 3.19 | 3.00 | 2.312 | 1.188 | 3.00 | 1.25 | 1.750 | .469 | 7/16-14 | 1.44 | 1.31 | 222 | 7/16-14X4.00 |
| W14-24 | W15-24 | 1.50 | 3.75 | 3.50 | 2.750 | 1.406 | 3.50 | 1.50 | 2.115 | .531 | 1/2-13 | 1.62 | 1.62 | 225 | 1/2-13X4.50 |
| W14-32 | W15-32 | 2.00 | 4.00 | 4.00 | 3.062 | 1.688 | 4.00 | 1.94 | 2.490 | .531 | 1/2-13 | 1.91 | 1.91 | 228 | 1/2-13X5.00 |

C62 ELBOW BLOCK

| PART NO. O-RING FIG. 1 | PART NO. FLAT FACE FIG. 2 | PAD SIZE | A | B | C | D | E | F | G | H | I UNC-2B | J | K | MOUNTING HARDWARE | |
|------------------------------|---------------------------------|-------------|------|------|-------|-------|------|-------|-------|------|-------------|------|------|----------------------|--------------|
| | | | | | | | | | | | | | | O-RING | SHCS |
| W12-12 | W13-12 | .75 | 2.82 | 2.50 | 2.000 | .937 | 2.50 | .750 | 1.250 | .406 | 3/8-16 | 1.19 | 1.06 | 214 | 3/8-16X3.50 |
| W12-16 | W13-16 | 1.00 | 3.19 | 3.00 | 2.250 | 1.093 | 3.00 | 1.00 | 1.560 | .469 | 7/16-14 | 1.38 | 1.38 | 219 | 7/16-14X4.00 |
| W12-20 | W13-20 | 1.25 | 3.75 | 3.50 | 2.625 | 1.250 | 3.50 | 1.25 | 1.750 | .531 | 1/2-13 | 1.62 | 1.41 | 222 | 1/2-13X4.50 |
| W12-24 | W13-24 | 1.50 | 4.50 | 4.00 | 3.125 | 1.437 | 4.00 | 1.50 | 2.115 | .656 | 5/8-11 | 1.88 | 1.75 | 225 | 5/8-11X5.00 |
| W12-32 | W13-32 | 2.00 | 5.25 | 5.00 | 3.812 | 1.75 | 5.00 | 1.940 | 2.490 | .781 | 3/4-10 | 2.25 | 2.50 | 228 | 3/4-10X6.00 |