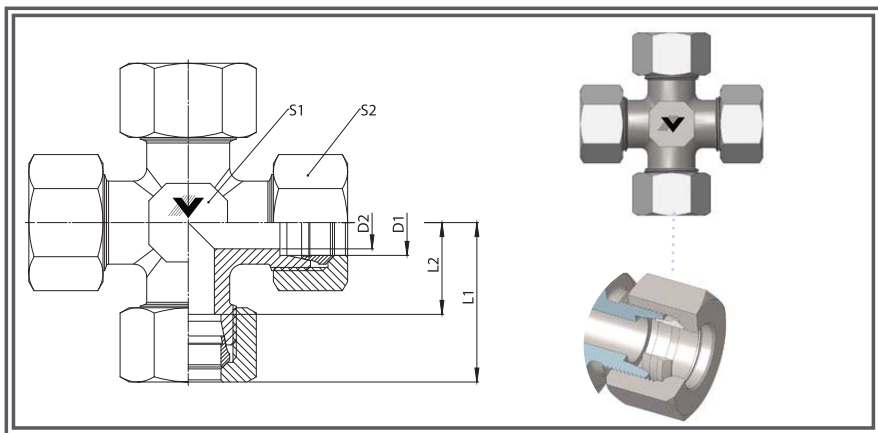


Tee Reducer  
L Series

SERIES:  
LL= Doble Ligera  
L= Ligera  
S= Pesada



CODIGO	MATERIAL	TIPO	D1 (MM)	D2 (MM)	L1(MM)	L2(MM)	S1(MM)	BAR	PSI
103149	ACERO INOXIDABLE	LL	4	3	21	11	7	100	1450.4
103151	ACERO INOXIDABLE	LL	6	4,5	21	10	9	100	1450.4
103154	ACERO INOXIDABLE	LL	8	6	23	12	12	100	1450.4
103150	ACERO INOXIDABLE	L	6	4	27	12	12	500	7251.9
103153	ACERO INOXIDABLE	L	8	6	29	14	12	500	7251.9
103156	ACERO INOXIDABLE	L	10	8	30	15	14	500	7251.9
103158	ACERO INOXIDABLE	L	12	10	32	17	17	400	5801.5
103161	ACERO INOXIDABLE	L	15	12	36	21	19	400	5801.5
103163	ACERO INOXIDABLE	L	18	15	40	24	24	400	5801.5
103165	ACERO INOXIDABLE	L	22	19	44	28	27	250	3625.9
103167	ACERO INOXIDABLE	L	28	24	47	31	36	250	3625.9
103169	ACERO INOXIDABLE	L	35	30	56	35	46	250	3625.9
103171	ACERO INOXIDABLE	L	42	36	63	40	50	250	3625.9
103152	ACERO INOXIDABLE	S	6	4	31	16	12	800	11603.0
103155	ACERO INOXIDABLE	S	8	5	32	17	14	800	11603.0
103157	ACERO INOXIDABLE	S	10	7	34	18	17	800	11603.0
103159	ACERO INOXIDABLE	S	12	8	38	22	17	630	9137.4
103160	ACERO INOXIDABLE	S	14	10	40	22	19	630	9137.4
103162	ACERO INOXIDABLE	S	16	12	43	25	24	630	9137.4
103164	ACERO INOXIDABLE	S	20	16	48	27	27	420	6091.6
103166	ACERO INOXIDABLE	S	25	20	54	30	36	420	6091.6
103168	ACERO INOXIDABLE	S	30	25	62	36	46	420	6091.6
103170	ACERO INOXIDABLE	S	38	32	72	41	55	420	6091.6