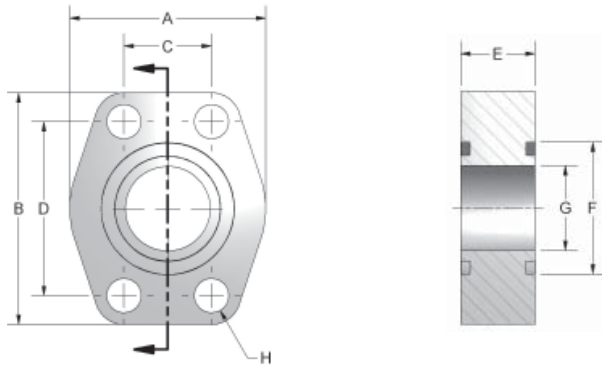
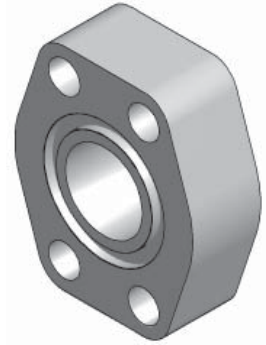


Used to connect two flat faced flanges.



CODE 61 DOUBLE O-RING SPACER									
PART NO.	PAD SIZE	A	B	C	D	E	F	G	H
ADOS-8-8	.50	1.813	2.125	.688	1.50	.750	1.000	.502	.344
ADOS-12-12	.75	2.063	2.563	.875	1.875	.750	1.250	.752	.406
ADOS-16-16	1.00	2.313	2.750	1.031	2.063	.880	1.560	1.002	.406
ADOS-20-20	1.25	2.875	3.125	1.188	2.313	.940	1.750	1.252	.469
ADOS-24-24	1.50	3.250	3.688	1.406	2.750	1.190	2.115	1.502	.531
ADOS-32-32	2.00	3.813	4.000	1.688	3.063	1.44	2.490	2.002	.531
ADOS-40-40	2.50	4.281	4.500	2.000	3.500	1.815	2.995	2.502	.531
ADOS-48-48	3.00	5.156	5.313	2.438	4.188	2.190	3.615	3.002	.656
ADOS-56-56	3.50	5.500	6.000	2.750	4.750	1.440	4.095	3.502	.656
ADOS-64-64	4.00	6.00	6.38	3.062	5.125	1.44	4.595	4.002	.656

CODE 62 DOUBLE O-RING SPACER									
PART NO. O-RING	PAD SIZE	A	B	C	D	E	F	G	H
ADOSX-8-8	.500	1.94	2.30	.718	1.594	1.25	1.000	.502	.344
ADOSX-12-12	.750	2.50	2.95	.937	2.000	1.250	1.250	.752	.406
ADOSX-16-16	1.00	2.75	3.19	1.093	2.250	1.500	1.560	1.002	.492
ADOSX-20-20	1.25	3.06	3.75	1.250	2.625	1.430	1.750	1.252	.531
ADOSX-24-24	1.50	3.75	4.44	1.437	3.125	1.815	2.115	1.502	.656
ADOSX-32-32	2.00	4.50	5.25	1.750	3.812	1.815	2.490	2.002	.781
ADOSX-40-40	2.50	5.87	6.87	2.312	4.875	1.930	2.995	2.502	.906
ADOSX-48-48	3.00	7.00	8.50	2.812	6.000	2.69	3.615	3.002	1.156

FLOW, NEEDLE & CHECK VALVES

HYDRAULIC BALL VALVES

WELD COUPLINGS

FLANGES