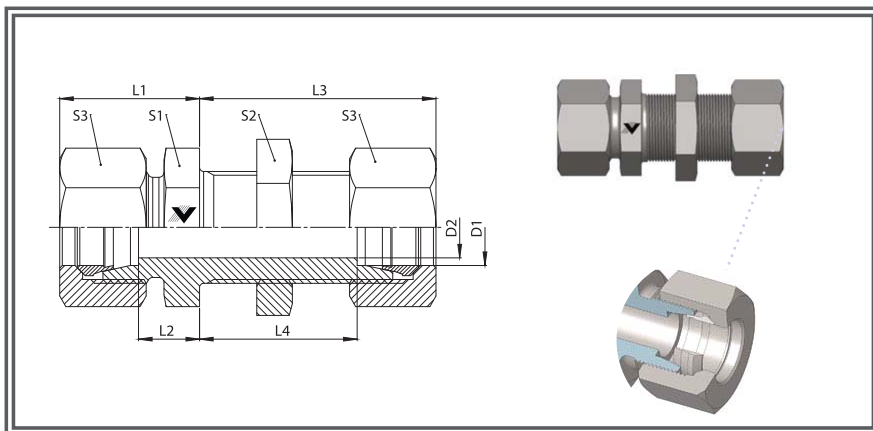


UNION RECTO PASAMURO
C2D22

Bulkhead Union
L and S Series

SERIES:
LL= Doble Ligera
L= Ligera
S= Pesada



CODIGO	MATERIAL	TIPO	D1(MM)	D2(MM)	L1(MM)	L2(MM)	S1(MM)	BAR	PSI
102920	ACERO INOXIDABLE	L	6	4	22	7	17	500	7251.9
102923	ACERO INOXIDABLE	L	8	6	23	8	19	500	7251.9
102926	ACERO INOXIDABLE	L	10	8	25	10	22	500	7251.9
102928	ACERO INOXIDABLE	L	12	10	25	10	24	400	5801.5
102932	ACERO INOXIDABLE	L	15	12	27	12	27	400	5801.5
102935	ACERO INOXIDABLE	L	18	15	30	13,5	32	400	5801.5
102938	ACERO INOXIDABLE	L	22	19	33	16,5	36	250	3625.9
102941	ACERO INOXIDABLE	L	28	24	35	18,5	41	250	3625.9
102943	ACERO INOXIDABLE	L	35	30	40	18,5	50	250	3625.9
102945	ACERO INOXIDABLE	L	42	36	42	19	60	250	3625.9
102922	ACERO INOXIDABLE	S	6	4	27	12	19	800	11603
102924	ACERO INOXIDABLE	S	8	5	28	13	22	800	11603
102927	ACERO INOXIDABLE	S	10	7	31	14,5	24	800	11603
102929	ACERO INOXIDABLE	S	12	8	31	14,5	27	630	9137.4
102931	ACERO INOXIDABLE	S	14	10	35	17	30	630	9137.4
102934	ACERO INOXIDABLE	S	16	12	35	16,5	32	630	9137.4
102937	ACERO INOXIDABLE	S	20	16	39	17,5	41	420	6091.6
102940	ACERO INOXIDABLE	S	25	20	44	20	46	420	6091.6
102942	ACERO INOXIDABLE	S	30	25	48	21,5	50	420	6091.6
102944	ACERO INOXIDABLE	S	38	32	53	22	65	420	6091.6