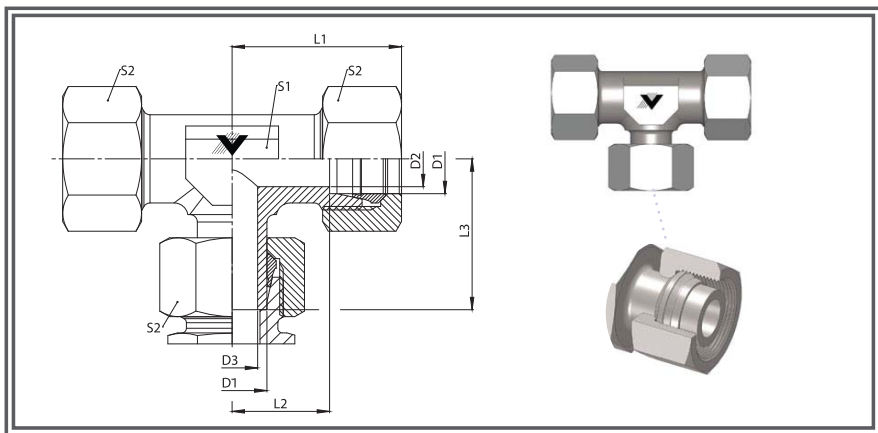


SECCION 4 STANDPIPE

TEE T/GIRATORIA CENTRAL  
C2C31

Standpipe Branch Tee  
L and S Series

SERIES:  
LL= Doble Ligera  
L= Ligera  
S= Pesada



CODIGO	MATERIAL	TIPO	D1(MM)	T	D2(MM)	L1(MM)	S1(MM)	BAR	PSI
101678	ACERO INOXIDABLE	L	6	4	27	12	12	500	7251.9
101684	ACERO INOXIDABLE	L	8	6	29	14	12	500	7251.9
101692	ACERO INOXIDABLE	L	10	8	30	15	14	500	7251.9
101700	ACERO INOXIDABLE	L	12	10	32	17	17	400	5801.5
101712	ACERO INOXIDABLE	L	15	12	36	21	19	400	5801.5
101718	ACERO INOXIDABLE	L	18	15	40	23,5	24	400	5801.5
101724	ACERO INOXIDABLE	L	22	19	44	27,5	27	250	3625.9
101730	ACERO INOXIDABLE	L	28	24	47	30,5	36	250	3625.9
101736	ACERO INOXIDABLE	L	35	30	56	34,5	41	250	3625.9
101742	ACERO INOXIDABLE	L	42	36	63	40	50	250	3625.9
101681	ACERO INOXIDABLE	S	6	4	31	16	12	800	11603.0
101688	ACERO INOXIDABLE	S	8	5	32	17	14	800	11603.0
101697	ACERO INOXIDABLE	S	10	7	34	17,5	17	800	11603.0
101705	ACERO INOXIDABLE	S	12	8	38	21,5	17	630	9137.4
101709	ACERO INOXIDABLE	S	14	10	40	22	19	630	9137.4
101715	ACERO INOXIDABLE	S	16	12	43	24,5	24	630	9137.4
101721	ACERO INOXIDABLE	S	20	16	48	26,5	27	420	6091.6
101727	ACERO INOXIDABLE	S	25	20	54	30	36	420	6091.6
101733	ACERO INOXIDABLE	S	30	25	62	35,5	41	420	6091.6
101739	ACERO INOXIDABLE	S	38	32	72	41	50	420	6091.6