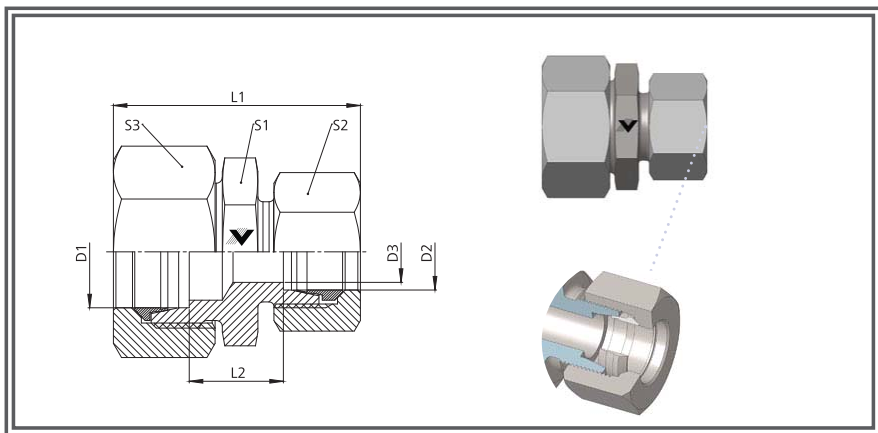


Straight Reducer
L Series

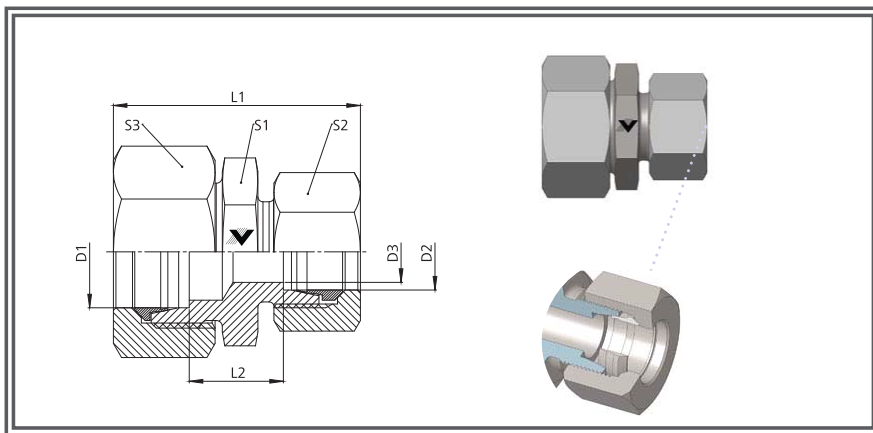
SERIES:
LL= Doble Ligera
L= Ligera
S= Pesada



CODIGO	MATERIAL	TIPO	D1 (MM)	D2 (MM)	L1(MM)	L2(MM)	S1(MM)	BAR	PSI
123605	ACERO INOXIDABLE	LL	6	4	32	10,5	11	100	1450.4
123606	ACERO INOXIDABLE	LL	8	4	34	12,5	12	100	1450.4
123607	ACERO INOXIDABLE	LL	8	6	34	11	12	100	1450.4
102822	ACERO INOXIDABLE	L	8	6	41	11	14	315	4568.7
102824	ACERO INOXIDABLE	L	10	6	42	12	17	315	4568.7
102827	ACERO INOXIDABLE	L	10	8	42	12	17	315	4568.7
102829	ACERO INOXIDABLE	L	12	6	43	13	19	315	4568.7
102831	ACERO INOXIDABLE	L	12	8	43	13	19	315	4568.7
102833	ACERO INOXIDABLE	L	12	10	44	14	19	315	4568.7
102841	ACERO INOXIDABLE	L	15	10	45	15	24	315	4568.7
102842	ACERO INOXIDABLE	L	15	12	45	15	24	315	4568.7
102850	ACERO INOXIDABLE	L	18	10	47	15,5	27	315	4568.7
102851	ACERO INOXIDABLE	L	18	12	47	15,5	27	315	4568.7
102852	ACERO INOXIDABLE	L	18	15	48	16,5	27	315	4568.7
102862	ACERO INOXIDABLE	L	22	12	49	17,5	32	160	2320.6
102863	ACERO INOXIDABLE	L	22	15	50	18,5	32	160	2320.6
102864	ACERO INOXIDABLE	L	22	18	51	18	32	160	2320.6
102878	ACERO INOXIDABLE	L	28	18	52	19	41	160	2320.6
102879	ACERO INOXIDABLE	L	28	22	54	21	41	160	2320.6
102895	ACERO INOXIDABLE	L	32	22	59	21	46	160	2320.6
102896	ACERO INOXIDABLE	L	35	28	59	21	46	160	2320.6
102913	ACERO INOXIDABLE	L	42	28	59,5	15	55	160	2320.6
102914	ACERO INOXIDABLE	L	42	35	66	21,5	55	160	2320.6
102823	ACERO INOXIDABLE	S	8	6	48	18	17	630	9137.4
182826	ACERO INOXIDABLE	S	10	6	48	17,5	19	630	9137.4

Straight Reducer
L Series

SERIES:
LL= Doble Ligera
L= Ligera
S= Pesada



CODIGO	MATERIAL	TIPO	D1 (MM)	D2 (MM)	L1(MM)	L2(MM)	S1(MM)	BAR	PSI
102828	ACERO INOXIDABLE	S	10	8	48	17,5	19	630	9137.4
102830	ACERO INOXIDABLE	S	12	6	51	19,5	22	630	9137.4
102832	ACERO INOXIDABLE	S	12	8	51	19,5	22	630	9137.4
102834	ACERO INOXIDABLE	S	12	10	52	19	22	630	9137.4
102837	ACERO INOXIDABLE	S	14	10	55	20,5	24	630	9137.4
102838	ACERO INOXIDABLE	S	14	12	54	20,5	24	630	9137.4
102845	ACERO INOXIDABLE	S	16	10	55	20	27	400	5801.5
102846	ACERO INOXIDABLE	S	16	12	55	20	27	400	5801.5
102847	ACERO INOXIDABLE	S	16	14	57	21,5	27	400	5801.5
102855	ACERO INOXIDABLE	S	20	10	60	22	32	400	5801.5
102856	ACERO INOXIDABLE	S	20	12	60	22	32	400	5801.5
102858	ACERO INOXIDABLE	S	20	16	63	23	32	400	5801.5
102870	ACERO INOXIDABLE	S	25	16	68	25,5	41	400	5801.5
102871	ACERO INOXIDABLE	S	25	20	71	25,5	41	400	5801.5
102887	ACERO INOXIDABLE	S	30	20	74	26	46	400	5801.5
102888	ACERO INOXIDABLE	S	30	25	77	26,5	46	400	5801.5
102805	ACERO INOXIDABLE	S	38	30	87	29,5	55	315	4568.7