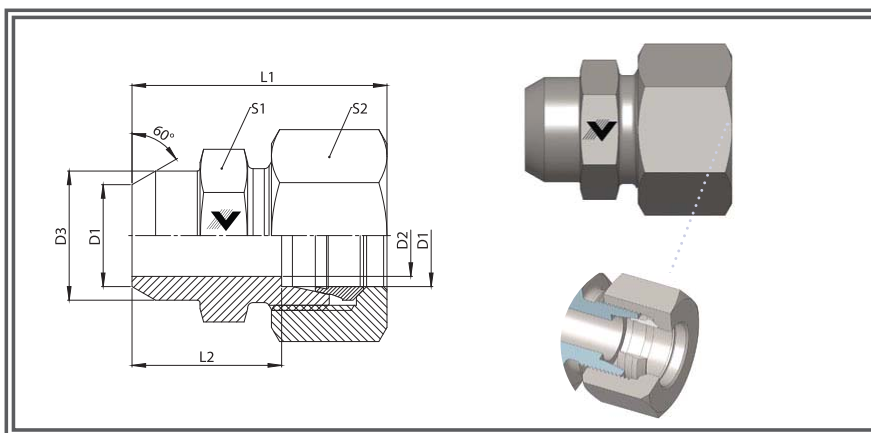


RACOR SOLDABLE
C2F11

Straight Weld Coupling
with 24° cutting ring connector
L and S Series

SERIES:
LL= Doble Ligera
L= Ligera
S= Pesada



CODIGO	MATERIAL	TIPO	D1(MM)	D2(MM)	L1(MM)	L2(MM)	S1(MM)	BAR	PSI
102137	ACERO INOXIDABLE	L	6	4	29	14	12	500	7251.9
102138	ACERO INOXIDABLE	L	8	6	31	16	14	500	7251.9
102141	ACERO INOXIDABLE	L	10	8	33	18	17	500	7251.9
102143	ACERO INOXIDABLE	L	12	10	33	18	19	400	5801.5
102146	ACERO INOXIDABLE	L	15	12	37	22	22	400	5801.5
102148	ACERO INOXIDABLE	L	18	15	40	23,5	27	400	5801.5
102150	ACERO INOXIDABLE	L	22	19	45	28,5	32	250	3625.9
102152	ACERO INOXIDABLE	L	28	24	47	30,5	41	250	3625.9
102154	ACERO INOXIDABLE	L	35	30	54	32,5	46	250	3625.9
102156	ACERO INOXIDABLE	L	42	36	58	35	55	250	3625.9
102139	ACERO INOXIDABLE	S	6	4	34	19	14	800	11603
102140	ACERO INOXIDABLE	S	8	5	36	21	17	800	11603
102142	ACERO INOXIDABLE	S	10	7	39	22,5	19	800	11603
102144	ACERO INOXIDABLE	S	12	8	41	24,5	22	630	9137.4
102145	ACERO INOXIDABLE	S	14	10	45	27	24	630	9137.4
102147	ACERO INOXIDABLE	S	16	12	45	26,5	27	630	9137.4
102149	ACERO INOXIDABLE	S	20	16	51	29,5	32	420	6091.6
102151	ACERO INOXIDABLE	S	25	20	56	32	41	420	6091.6
102153	ACERO INOXIDABLE	S	30	25	62	35,5	46	420	6091.6
102155	ACERO INOXIDABLE	S	38	32	69	38	55	420	6091.6