

RACOR RECTO UNF  
C2B14

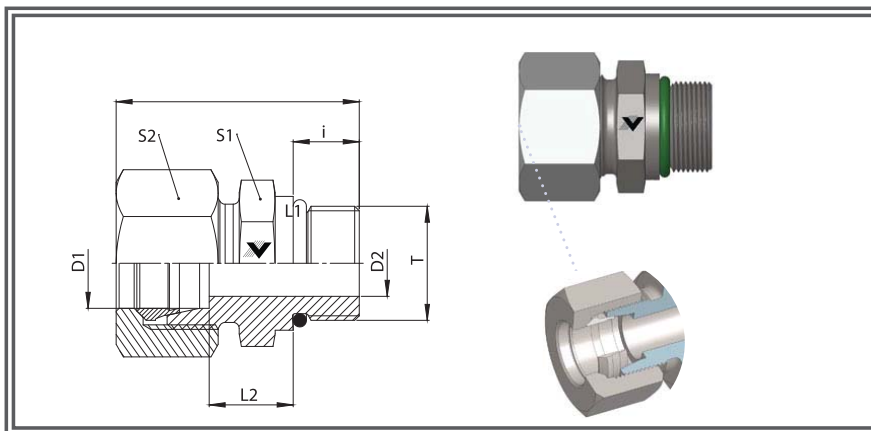
Male Stud Connector

L and S Series

Thread: UNF/UN

Sealing by Viton O-ring (ISO 11926)

SERIES:  
LL= Doble Ligera  
L= Ligera  
S= Pesada



CODIGO	MATERIAL	TIPO	D1 (MM)	T	L1(MM)	L2(MM)	S1(MM)	BAR	PSI
102194	ACERO INOXIDABLE	L	6	07/16-20	34	10	17	315	4568.7
102264	ACERO INOXIDABLE	L	8	07/16-20	34	10	17	315	4568.7
102334	ACERO INOXIDABLE	L	10	07/16-20	36	11	17	315	4568.7
102401	ACERO INOXIDABLE	L	12	09/16-18	36	11	19	315	4568.7
102404	ACERO INOXIDABLE	L	12	03/04--16	39	13	24	315	4568.7
102405	ACERO INOXIDABLE	L	12	07/8--14	42	14,3	27	315	4568.7
102499	ACERO INOXIDABLE	L	15	3/4--16	40	14	24	315	4568.7
102502	ACERO INOXIDABLE	L	15	7/8--14	43	15,3	27	315	4568.7
102573	ACERO INOXIDABLE	L	18	3/4--16	42	14,5	27	315	4568.7
102576	ACERO INOXIDABLE	L	18	7/8--14	44	14,8	27	315	4568.7
102632	ACERO INOXIDABLE	L	22	7/8--14	46	16,8	32	160	2320.6
102633	ACERO INOXIDABLE	L	22	1,1/16-12	48	16,5	32	160	2320.6
102639	ACERO INOXIDABLE	L	22	1,5/16-12	49	17,5	41	160	2320.6
102684	ACERO INOXIDABLE	L	28	1,1/16-12	49	17,5	41	160	2320.6
102728	ACERO INOXIDABLE	L	35	1,5/16-12	54	17,5	46	160	2320.6
102729	ACERO INOXIDABLE	L	35	1,5/8-12	54	17,5	50	160	2320.6
102765	ACERO INOXIDABLE	L	42	1,5/8-12	57	19	55	160	2320.6
102310	ACERO INOXIDABLE	S	8	7/16-20	39	15	17	630	9137.4
102375	ACERO INOXIDABLE	S	10	9/16-18	41	14,5	19	630	9137.4
102445	ACERO INOXIDABLE	S	12	9/16-18	41	14,5	22	630	9137.4
102449	ACERO INOXIDABLE	S	12	3/4--16	45	17,5	24	630	9137.4
102544	ACERO INOXIDABLE	S	16	3/4--16	45	15,5	24	400	5801.5
102547	ACERO INOXIDABLE	S	16	7/8--14	50	18,8	27	400	5801.5
102606	ACERO INOXIDABLE	S	20	3/4--16	53	20,5	32	400	5801.5
102609	ACERO INOXIDABLE	S	20	7/8--14	55	20,8	32	400	5801.5

SECCION 2 RACORES

RACOR RECTO UNF  
C2B14

Male Stud Connector

L and S Series

**Thread: UNF/UN**

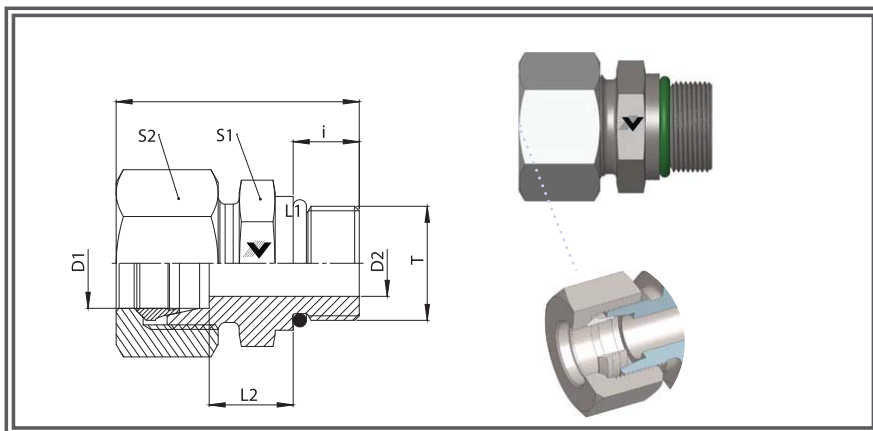
**Sealing by Viton O-ring (ISO 11926)**

SERIES:

LL= Doble Ligera

L= Ligera

S= Pesada



CODIGO	MATERIAL	TIPO	D1 (MM)	T	L1(MM)	L2(MM)	S1(MM)	BAR	PSI
102613	ACERO INOXIDABLE	S	20	1,1/16-12	57	20,5	32	400	5801.5
102663	ACERO INOXIDABLE	S	25	1,1/16-12	62	23	36	400	5801.5
102664	ACERO INOXIDABLE	S	25	1,5/16-12	62	23	41	400	5801.5
102708	ACERO INOXIDABLE	S	30	1,5/16-12	65	23,5	46	400	5801.5
102709	ACERO INOXIDABLE	S	30	1,5/8-12	65	23,5	50	400	5801.5
102751	ACERO INOXIDABLE	S	38	1,5/8-12	72	26	55	315	4568.7