

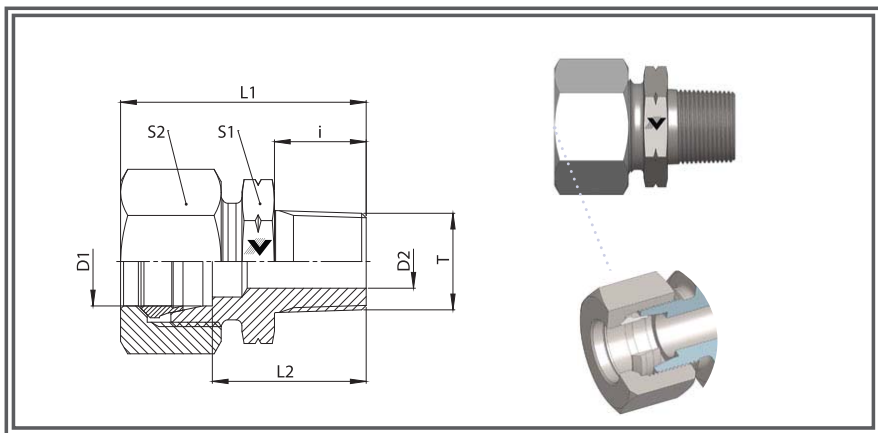
RACOR RECTO NPT
C2B13

Male Stud Connector

L Series

Thread: NPT

SERIES:
LL= Doble Ligera
L= Ligera
S= Pesada



CODIGO	MATERIAL	TIPO	D1 (MM)	T	L1(MM)	L2(MM)	S1(MM)	BAR	PSI
102183	ACERO INOXIDABLE	LL	4	1/8	28	18	11	100	1450.4
102196	ACERO INOXIDABLE	LL	6	1/8	28	16,5	11	100	1450.4
102266	ACERO INOXIDABLE	LL	8	1/8	30	18,5	12	100	1450.4
102189	ACERO INOXIDABLE	L	6	1/2	44	29	24	315	4568.7
102190	ACERO INOXIDABLE	L	6	1/4	38	23	17	315	4568.7
102191	ACERO INOXIDABLE	L	6	1/8	32	17	12	315	4568.7
102193	ACERO INOXIDABLE	L	6	3/8	39	24	19	315	4568.7
102259	ACERO INOXIDABLE	L	8	1/2	44	29	24	315	4568.7
102260	ACERO INOXIDABLE	L	8	1/4	38	23	17	315	4568.7
102261	ACERO INOXIDABLE	L	8	1/8	33	18	14	315	4568.7
102263	ACERO INOXIDABLE	L	8	3/8	38	23	19	315	4568.7
102329	ACERO INOXIDABLE	L	10	1/2	45	30	22	315	4568.7
102330	ACERO INOXIDABLE	L	10	1/4	39	24	17	315	4568.7
102331	ACERO INOXIDABLE	L	10	1/8	34	19	17	315	4568.7
102332	ACERO INOXIDABLE	L	10	3/4	46	31	27	315	4568.7
102333	ACERO INOXIDABLE	L	10	3/8	40	25	19	315	4568.7
102398	ACERO INOXIDABLE	L	12	1/2	45	30	22	315	4568.7
102399	ACERO INOXIDABLE	L	12	1/4	40	25	19	315	4568.7
102400	ACERO INOXIDABLE	L	12	1/8	35	20	19	315	4568.7
102402	ACERO INOXIDABLE	L	12	3/4	46	31	27	315	4568.7
102403	ACERO INOXIDABLE	L	12	3/8	40	25	19	315	4568.7
102494	ACERO INOXIDABLE	L	15	1/2	43	31	24	315	4568.7
102496	ACERO INOXIDABLE	L	15	1/4	41	26	24	315	4568.7
102500	ACERO INOXIDABLE	L	15	3/4	48	33	27	315	4568.7
102501	ACERO INOXIDABLE	L	15	3/8	41	26	24	315	4568.7

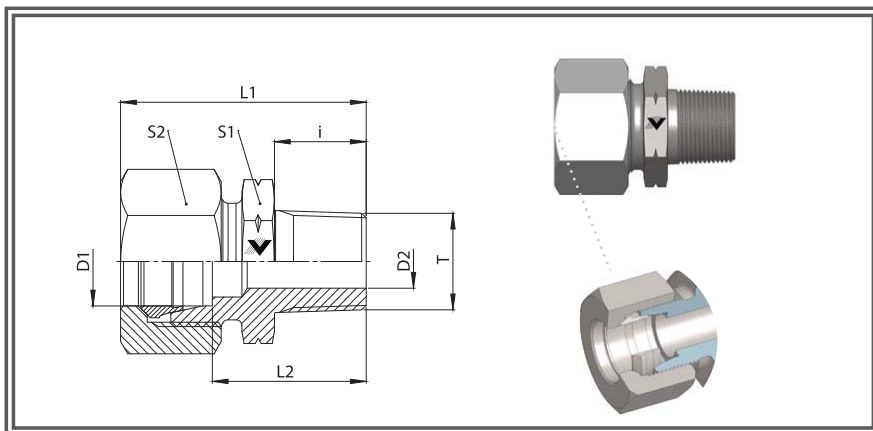
RACOR RECTO NPT
C2B13

Male Stud Connector

L Series

Thread: NPT

SERIES:
LL= Doble Ligera
L= Ligera
S= Pesada



CODIGO	MATERIAL	TIPO	D1 (MM)	T	L1(MM)	L2(MM)	S1(MM)	BAR	PSI
102567	ACERO INOXIDABLE	L	18	1/2	48	31.5	27	315	4568.7
102572	ACERO INOXIDABLE	L	18	1	53	36,5	36	315	4568.7
102574	ACERO INOXIDABLE	L	18	3/4	48	31,5	30	315	4568.7
102575	ACERO INOXIDABLE	L	18	3/8	43	26,5	27	315	4568.7
102631	ACERO INOXIDABLE	L	22	1/2	50	33,5	32	160	2320.6
102634	ACERO INOXIDABLE	L	22	1	56	39,5	36	160	2320.6
102636	ACERO INOXIDABLE	L	22	3/4	50	33,5	32	160	2320.6
102637	ACERO INOXIDABLE	L	22	3/8	45	28,5	32	160	2320.6
102638	ACERO INOXIDABLE	L	22	1,1/4	56	46	46	160	2320.6
102683	ACERO INOXIDABLE	L	28	1/2	51	35	41	160	2320.6
102686	ACERO INOXIDABLE	L	28	1	56	39,5	41	160	2320.6
102688	ACERO INOXIDABLE	L	28	3/4	51	34,5	41	160	2320.6
102689	ACERO INOXIDABLE	L	28	1,1/4	58	41,5	46	160	2320.6
102730	ACERO INOXIDABLE	L	35	1	61	39,5	46	160	2320.6
102731	ACERO INOXIDABLE	L	35	1,1/2	67	42,5	55	160	2320.6
102732	ACERO INOXIDABLE	L	35	3/4	56	35	46	160	2320.6
102733	ACERO INOXIDABLE	L	35	1,1/4	62	40,5	46	160	2320.6
102767	ACERO INOXIDABLE	L	42	1	65	42	55	160	2320.6
102768	ACERO INOXIDABLE	L	42	1,1/2	65	42	55	160	2320.6
102769	ACERO INOXIDABLE	L	42	1,1/4	65	42	55	160	2320.6
102236	ACERO INOXIDABLE	S	6	1/2	48	33	22	630	9137.4
102237	ACERO INOXIDABLE	S	6	1/4	43	28	17	630	9137.4
102238	ACERO INOXIDABLE	S	6	1/8	36	21	14	630	9137.4
102240	ACERO INOXIDABLE	S	6	3/8	43	28	19	630	9137.4
102305	ACERO INOXIDABLE	S	8	1/2	48	33	22	630	9137.4

SECCION 2 RACORES

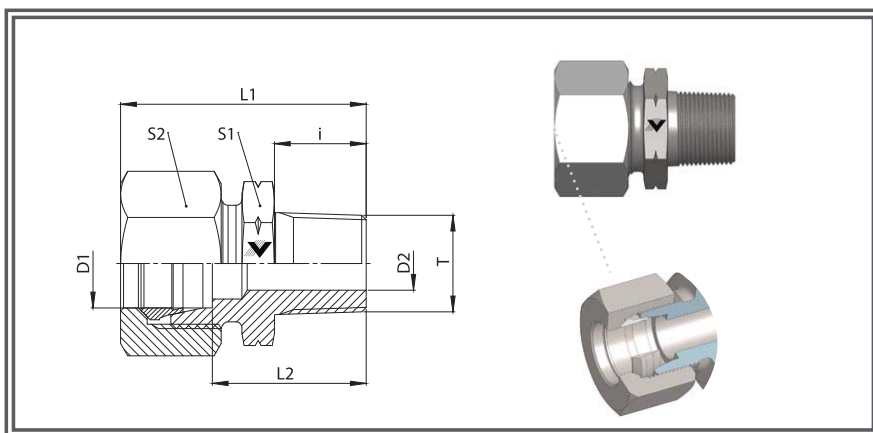
RACOR RECTO NPT C2B13

Male Stud Connector

L Series

Thread: NPT

SERIES:
LL= Doble Ligera
L= Ligera
S= Pesada



CODIGO	MATERIAL	TIPO	D1 (MM)	T	L1(MM)	L2(MM)	S1(MM)	BAR	PSI
102306	ACERO INOXIDABLE	S	8	1/4	43	28	17	630	9137.4
102307	ACERO INOXIDABLE	S	8	1/8	38	23	17	630	9137.4
102309	ACERO INOXIDABLE	S	8	3/8	44	29	19	630	9137.4
102369	ACERO INOXIDABLE	S	10	1/2	51	34,5	22	630	9137.4
102370	ACERO INOXIDABLE	S	10	1/4	44	27,5	19	630	9137.4
102371	ACERO INOXIDABLE	S	10	1/8	39	23	19	630	9137.4
102373	ACERO INOXIDABLE	S	10	3/4	51	34,5	27	630	9137.4
102374	ACERO INOXIDABLE	S	10	3/8	44	27,5	19	630	9137.4
102441	ACERO INOXIDABLE	S	12	1/2	51	34,5	22	630	9137.4
102443	ACERO INOXIDABLE	S	12	1/4	46	29,5	22	630	9137.4
102446	ACERO INOXIDABLE	S	12	3/4	51	34,5	30	630	9137.4
102447	ACERO INOXIDABLE	S	12	3/8	46	29,5	22	630	9137.4
102471	ACERO INOXIDABLE	S	14	1/2	54	36	24	630	9137.4
102475	ACERO INOXIDABLE	S	14	3/4	54	36	27	630	9137.4
102476	ACERO INOXIDABLE	S	14	3/8	49	31	24	630	9137.4
102539	ACERO INOXIDABLE	S	16	1/2	54	35,5	27	400	5801.5
102543	ACERO INOXIDABLE	S	16	1	61	42,5	30	400	5801.5
102545	ACERO INOXIDABLE	S	16	3/4	55	36,5	30	400	5801.5
102546	ACERO INOXIDABLE	S	16	3/8	49	30,5	27	400	5801.5
102605	ACERO INOXIDABLE	S	20	1/2	59	37,5	32	400	5801.5
102607	ACERO INOXIDABLE	S	20	1	64	42,5	36	400	5801.5
102610	ACERO INOXIDABLE	S	20	3/4	59	37,5	32	400	5801.5
102611	ACERO INOXIDABLE	S	20	3/8	54	33	32	400	5801.5
102612	ACERO INOXIDABLE	S	20	1,1/4	65	44	46	400	5801.5
102662	ACERO INOXIDABLE	S	25	1/2	64	40	41	400	5801.5

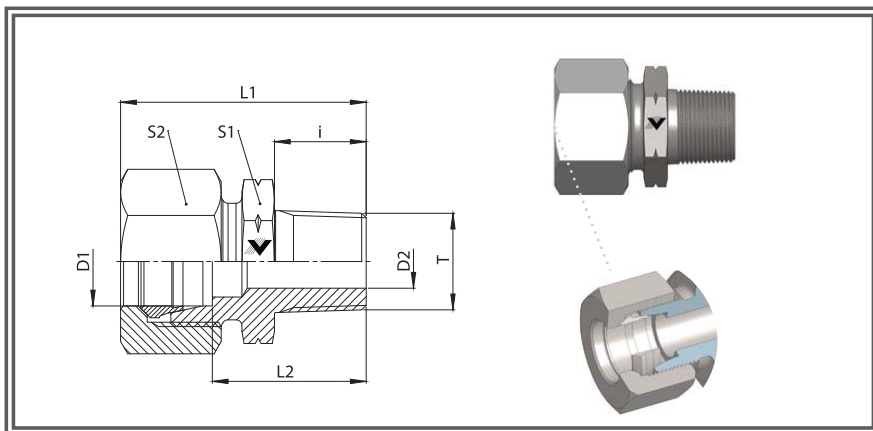
RACOR RECTO NPT
C2B13

Male Stud Connector

L Series

Thread: NPT

SERIES:
LL= Doble Ligera
L= Ligera
S= Pesada



CODIGO	MATERIAL	TIPO	D1 (MM)	T	L1(MM)	L2(MM)	S1(MM)	BAR	PSI
102665	ACERO INOXIDABLE	S	25	1	69	45	41	400	5801.5
102667	ACERO INOXIDABLE	S	25	3/4	64	40	41	400	5801.5
102668	ACERO INOXIDABLE	S	25	1,1/4	70	46	46	400	5801.5
102710	ACERO INOXIDABLE	S	30	1	72	45,5	46	400	5801.5
102711	ACERO INOXIDABLE	S	30	1,1/2	73	46,5	50	400	5801.5
102712	ACERO INOXIDABLE	S	30	3/4	67	40,5	46	400	5801.5
102713	ACERO INOXIDABLE	S	30	1,1/4	73	46,5	46	400	5801.5
102753	ACERO INOXIDABLE	S	38	1	79	48	55	315	4568.7
102754	ACERO INOXIDABLE	S	38	1,1/2	80	49	55	315	4568.7
102755	ACERO INOXIDABLE	S	38	1,1/4	80	49	55	315	4568.7