

SECCION 2 RACORES

RACOR RECTO BSP S/METALICO C2B11

Male Stud Connector

L Series

Thread: BSPP

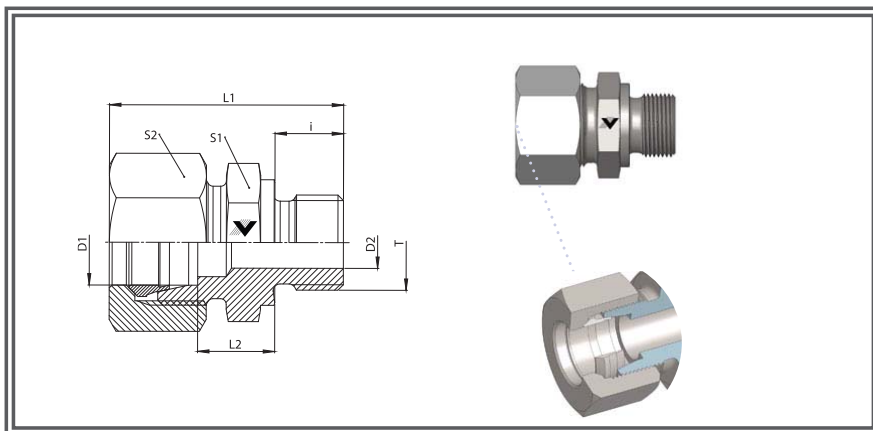
Metallic sealing edge Form B

SERIES:

LL= Doble Ligera

L= Ligera

S= Pesada



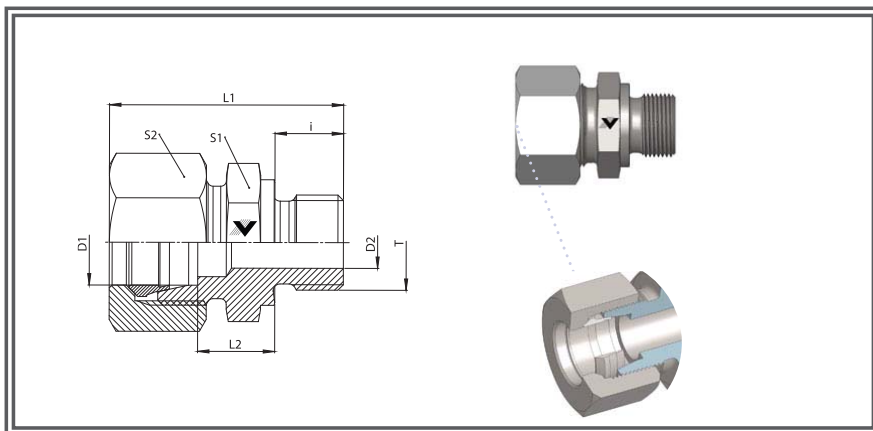
| CODIGO | MATERIAL         | TIPO | D1 (MM) | T   | L1(MM) | L2(MM) | S1(MM) | BAR | PSI    |
|--------|------------------|------|---------|-----|--------|--------|--------|-----|--------|
| 102187 | ACERO INOXIDABLE | LL   | 4       | 1/8 | 27     | 9,5    | 14     | 100 | 1450.4 |
| 102205 | ACERO INOXIDABLE | LL   | 6       | 1/8 | 28     | 8      | 14     | 100 | 1450.4 |
| 102206 | ACERO INOXIDABLE | LL   | 6       | 1/4 | 33     | 9,5    | 19     | 100 | 1450.4 |
| 102273 | ACERO INOXIDABLE | LL   | 8       | 1/8 | 28     | 9      | 14     | 100 | 1450.4 |
| 102274 | ACERO INOXIDABLE | LL   | 8       | 1/4 | 33     | 9      | 19     | 100 | 1450.4 |
| 102220 | ACERO INOXIDABLE | L    | 6       | 1/8 | 31     | 8,5    | 22     | 315 | 4568.7 |
| 102221 | ACERO INOXIDABLE | L    | 6       | 1/2 | 41     | 12     | 27     | 315 | 4568.7 |
| 102225 | ACERO INOXIDABLE | L    | 6       | 1/4 | 37     | 10     | 19     | 315 | 4568.7 |
| 102231 | ACERO INOXIDABLE | L    | 6       | 3/8 | 38     | 11,5   | 22     | 315 | 4568.7 |
| 102289 | ACERO INOXIDABLE | L    | 8       | 1/4 | 37     | 10     | 19     | 315 | 4568.7 |
| 102290 | ACERO INOXIDABLE | L    | 8       | 1/2 | 41     | 12     | 27     | 315 | 4568.7 |
| 102293 | ACERO INOXIDABLE | L    | 8       | 1/8 | 33     | 9,5    | 14     | 315 | 4568.7 |
| 102296 | ACERO INOXIDABLE | L    | 8       | 3/4 | 44     | 13     | 32     | 315 | 4568.7 |
| 102299 | ACERO INOXIDABLE | L    | 8       | 3/8 | 37     | 10     | 22     | 315 | 4568.7 |
| 102353 | ACERO INOXIDABLE | L    | 10      | 1/4 | 38     | 11     | 19     | 315 | 4568.7 |
| 102354 | ACERO INOXIDABLE | L    | 10      | 1/2 | 42     | 13     | 27     | 315 | 4568.7 |
| 102357 | ACERO INOXIDABLE | L    | 10      | 1/8 | 33     | 10,5   | 17     | 315 | 4568.7 |
| 102360 | ACERO INOXIDABLE | L    | 10      | 3/4 | 45     | 14,5   | 32     | 315 | 4568.7 |
| 102363 | ACERO INOXIDABLE | L    | 10      | 3/8 | 39     | 12,5   | 22     | 315 | 4568.7 |
| 102421 | ACERO INOXIDABLE | L    | 12      | 3/8 | 39     | 12,5   | 22     | 315 | 4568.7 |
| 102422 | ACERO INOXIDABLE | L    | 12      | 1/2 | 42     | 13     | 27     | 315 | 4568.7 |
| 102425 | ACERO INOXIDABLE | L    | 12      | 1/4 | 39     | 12     | 19     | 315 | 4568.7 |
| 102428 | ACERO INOXIDABLE | L    | 12      | 1/8 | 35     | 12,5   | 19     | 315 | 4568.7 |
| 102431 | ACERO INOXIDABLE | L    | 12      | 3/4 | 45     | 14     | 32     | 315 | 4568.7 |
| 102516 | ACERO INOXIDABLE | L    | 15      | 1/2 | 40     | 14     | 27     | 250 | 3625.9 |

SECCION 2 RACORES

RACOR RECTO BSP S/METALICO C2B11

Male Stud Connector  
L Series  
Thread: BSPP  
Metallic sealing edge Form B

SERIES:  
LL= Doble Ligera  
L= Ligera  
S= Pesada



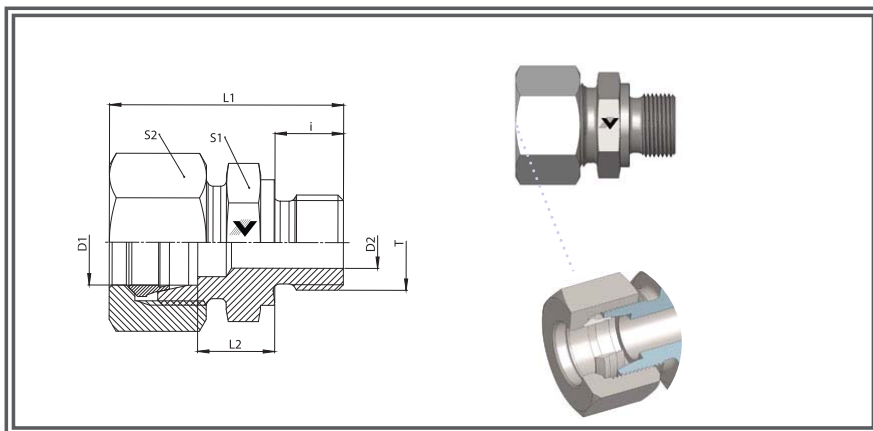
| CODIGO | MATERIAL         | TIPO | D1 (MM) | T      | L1(MM) | L2(MM) | S1(MM) | BAR | PSI    |
|--------|------------------|------|---------|--------|--------|--------|--------|-----|--------|
| 102517 | ACERO INOXIDABLE | L    | 15      | 1      | 49     | 16     | 41     | 250 | 3625.9 |
| 102518 | ACERO INOXIDABLE | L    | 15      | 1/4    | 41     | 14     | 24     | 250 | 3625.9 |
| 102521 | ACERO INOXIDABLE | L    | 15      | 1/8    | 37     | 14     | 24     | 250 | 3625.9 |
| 102526 | ACERO INOXIDABLE | L    | 15      | 3/4    | 46     | 15     | 32     | 250 | 3625.9 |
| 102529 | ACERO INOXIDABLE | L    | 15      | 3/8    | 40     | 13,5   | 24     | 250 | 3625.9 |
| 102586 | ACERO INOXIDABLE | L    | 18      | 1/2    | 45     | 14,5   | 27     | 250 | 3625.9 |
| 102587 | ACERO INOXIDABLE | L    | 18      | 1      | 49     | 14,5   | 41     | 250 | 3625.9 |
| 102588 | ACERO INOXIDABLE | L    | 18      | 1/4    | 43     | 14,5   | 27     | 250 | 3625.9 |
| 102591 | ACERO INOXIDABLE | L    | 18      | 1/8    | 39     | 14,5   | 27     | 250 | 3625.9 |
| 102596 | ACERO INOXIDABLE | L    | 18      | 3/4    | 47     | 14,5   | 32     | 250 | 3625.9 |
| 102599 | ACERO INOXIDABLE | L    | 18      | 3/8    | 43     | 14,5   | 27     | 250 | 3625.9 |
| 102647 | ACERO INOXIDABLE | L    | 22      | 3/4    | 49     | 16,5   | 32     | 160 | 2320.6 |
| 102648 | ACERO INOXIDABLE | L    | 22      | 1      | 52     | 17,5   | 41     | 160 | 2320.6 |
| 102649 | ACERO INOXIDABLE | L    | 22      | 1/2    | 47     | 16,5   | 32     | 160 | 2320.6 |
| 102655 | ACERO INOXIDABLE | L    | 22      | 3/8    | 45     | 16,5   | 32     | 160 | 2320.6 |
| 102657 | ACERO INOXIDABLE | L    | 22      | 1, 1/4 | 54     | 17,5   | 50     | 160 | 2320.6 |
| 102694 | ACERO INOXIDABLE | L    | 28      | 1      | 52     | 17,5   | 41     | 160 | 2320.6 |
| 102695 | ACERO INOXIDABLE | L    | 28      | 1/2    | 48     | 17,5   | 41     | 160 | 2320.6 |
| 102698 | ACERO INOXIDABLE | L    | 28      | 1, 1/2 | 59     | 20,5   | 55     | 160 | 2320.6 |
| 102700 | ACERO INOXIDABLE | L    | 28      | 3/4    | 50     | 17,5   | 41     | 160 | 2320.6 |
| 102702 | ACERO INOXIDABLE | L    | 28      | 1, 1/4 | 54     | 17,5   | 50     | 160 | 2320.6 |
| 102737 | ACERO INOXIDABLE | L    | 35      | 1, 1/4 | 59     | 17,5   | 50     | 160 | 2320.6 |
| 102738 | ACERO INOXIDABLE | L    | 35      | 1      | 57     | 17,5   | 46     | 160 | 2320.6 |
| 102739 | ACERO INOXIDABLE | L    | 35      | 1/2    | 53     | 17,5   | 46     | 160 | 2320.6 |
| 102744 | ACERO INOXIDABLE | L    | 35      | 1,1/2  | 63     | 19,5   | 55     | 160 | 2320.6 |

SECCION 2 RACORES

RACOR RECTO BSP S/METALICO C2B11

Male Stud Connector  
L Series  
Thread: BSPP  
Metallic sealing edge Form B

SERIES:  
LL= Doble Ligera  
L= Ligera  
S= Pesada



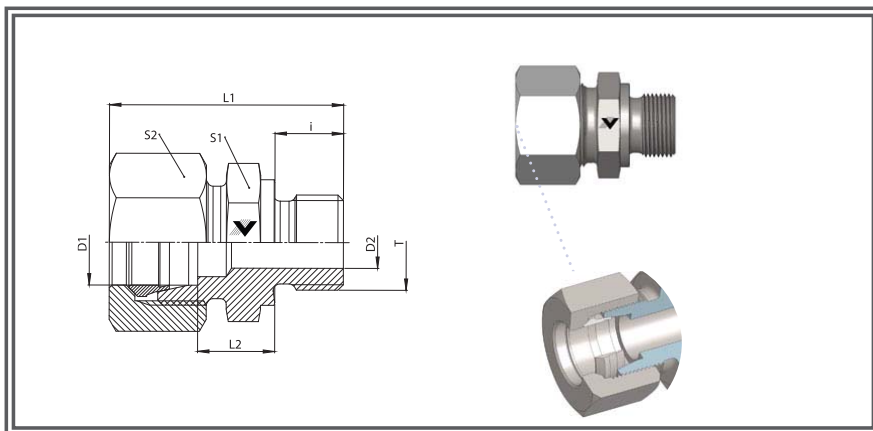
| CODIGO | MATERIAL         | TIPO | D1 (MM) | T     | L1(MM) | L2(MM) | S1(MM) | BAR | PSI    |
|--------|------------------|------|---------|-------|--------|--------|--------|-----|--------|
| 102746 | ACERO INOXIDABLE | L    | 35      | 3/4   | 55     | 17,5   | 46     | 160 | 2320.6 |
| 102773 | ACERO INOXIDABLE | L    | 42      | 1,1/2 | 94     | 19     | 55     | 160 | 2320.6 |
| 102774 | ACERO INOXIDABLE | L    | 42      | 1     | 60     | 19     | 55     | 160 | 2320.6 |
| 102777 | ACERO INOXIDABLE | L    | 42      | 1,1/4 | 62     | 19     | 55     | 160 | 2320.6 |
| 102247 | ACERO INOXIDABLE | S    | 6       | 1/4   | 40     | 13     | 19     | 630 | 9137.4 |
| 102248 | ACERO INOXIDABLE | S    | 6       | 1/2   | 47     | 18     | 27     | 630 | 9137.4 |
| 102251 | ACERO INOXIDABLE | S    | 6       | 1/8   | 35     | 12,5   | 17     | 630 | 9137.4 |
| 102253 | ACERO INOXIDABLE | S    | 6       | 3/4   | 51     | 20     | 32     | 630 | 9137.4 |
| 102255 | ACERO INOXIDABLE | S    | 6       | 3/8   | 42     | 15,5   | 22     | 630 | 9137.4 |
| 102319 | ACERO INOXIDABLE | S    | 8       | 1/4   | 42     | 15     | 19     | 630 | 9137.4 |
| 102320 | ACERO INOXIDABLE | S    | 8       | 1/2   | 47     | 18     | 27     | 630 | 9137.4 |
| 102326 | ACERO INOXIDABLE | S    | 8       | 3/8   | 42     | 15,5   | 22     | 630 | 9137.4 |
| 102386 | ACERO INOXIDABLE | S    | 10      | 3/8   | 43     | 15     | 22     | 630 | 9137.4 |
| 102387 | ACERO INOXIDABLE | S    | 10      | 1/2   | 48     | 17,5   | 27     | 630 | 9137.4 |
| 102389 | ACERO INOXIDABLE | S    | 10      | 1/4   | 43     | 14,5   | 19     | 630 | 9137.4 |
| 102391 | ACERO INOXIDABLE | S    | 10      | 1/8   | 39     | 14     | 19     | 630 | 9137.4 |
| 102393 | ACERO INOXIDABLE | S    | 10      | 3/4   | 50     | 17,5   | 32     | 630 | 9137.4 |
| 102460 | ACERO INOXIDABLE | S    | 12      | 3/8   | 46     | 17     | 22     | 630 | 9137.4 |
| 102461 | ACERO INOXIDABLE | S    | 12      | 1/2   | 48     | 17,5   | 27     | 630 | 9137.4 |
| 102464 | ACERO INOXIDABLE | S    | 12      | 1/4   | 45     | 16,5   | 22     | 630 | 9137.4 |
| 102468 | ACERO INOXIDABLE | S    | 12      | 3/4   | 50     | 17,5   | 32     | 630 | 9137.4 |
| 102481 | ACERO INOXIDABLE | S    | 14      | 1/2   | 51     | 19     | 27     | 630 | 9137.4 |
| 102482 | ACERO INOXIDABLE | S    | 14      | 1     | 60     | 23     | 41     | 630 | 9137.4 |
| 102483 | ACERO INOXIDABLE | S    | 14      | 1/4   | 46     | 16     | 22     | 630 | 9137.4 |
| 102488 | ACERO INOXIDABLE | S    | 14      | 3/4   | 55     | 21     | 32     | 630 | 9137.4 |

SECCION 2 RACORES

RACOR RECTO BSP S/METALICO C2B11

Male Stud Connector  
L Series  
Thread: BSPP  
Metallic sealing edge Form B

SERIES:  
LL= Doble Ligera  
L= Ligera  
S= Pesada



| CODIGO | MATERIAL         | TIPO | D1 (MM) | T     | L1(MM) | L2(MM) | S1(MM) | BAR | PSI    |
|--------|------------------|------|---------|-------|--------|--------|--------|-----|--------|
| 102490 | ACERO INOXIDABLE | S    | 14      | 3/8   | 48     | 18,5   | 22     | 630 | 9137.4 |
| 102555 | ACERO INOXIDABLE | S    | 16      | 1/2   | 51     | 18,5   | 27     | 630 | 9137.4 |
| 102557 | ACERO INOXIDABLE | S    | 16      | 1/4   | 48     | 18     | 24     | 630 | 9137.4 |
| 102562 | ACERO INOXIDABLE | S    | 16      | 3/4   | 55     | 20,5   | 32     | 630 | 9137.4 |
| 102564 | ACERO INOXIDABLE | S    | 16      | 3/8   | 48     | 18     | 27     | 630 | 9137.4 |
| 102619 | ACERO INOXIDABLE | S    | 20      | 3/4   | 58     | 20,5   | 32     | 400 | 5801.5 |
| 102620 | ACERO INOXIDABLE | S    | 20      | 1     | 62     | 22,5   | 41     | 400 | 5801.5 |
| 102621 | ACERO INOXIDABLE | S    | 20      | 1/2   | 56     | 20,5   | 32     | 400 | 5801.5 |
| 102624 | ACERO INOXIDABLE | S    | 20      | 1,1/2 | 69     | 25,5   | 55     | 400 | 5801.5 |
| 102626 | ACERO INOXIDABLE | S    | 20      | 3/8   | 54     | 20,5   | 32     | 400 | 5801.5 |
| 102628 | ACERO INOXIDABLE | S    | 20      | 1,1/4 | 64     | 22,5   | 50     | 400 | 5801.5 |
| 102672 | ACERO INOXIDABLE | S    | 25      | 1     | 65     | 23     | 41     | 400 | 5801.5 |
| 102673 | ACERO INOXIDABLE | S    | 25      | 1/2   | 61     | 23     | 41     | 400 | 5801.5 |
| 102675 | ACERO INOXIDABLE | S    | 25      | 1,1/2 | 72     | 26     | 55     | 400 | 5801.5 |
| 102677 | ACERO INOXIDABLE | S    | 25      | 3/4   | 63     | 23     | 41     | 400 | 5801.5 |
| 102679 | ACERO INOXIDABLE | S    | 25      | 1,1/4 | 67     | 23     | 50     | 400 | 5801.5 |
| 102716 | ACERO INOXIDABLE | S    | 30      | 1,1/4 | 70     | 23,5   | 50     | 400 | 5801.5 |
| 102717 | ACERO INOXIDABLE | S    | 30      | 1     | 68     | 23,5   | 46     | 250 | 3625.9 |
| 102718 | ACERO INOXIDABLE | S    | 30      | 1/2   | 64     | 23,5   | 46     | 250 | 3625.9 |
| 102722 | ACERO INOXIDABLE | S    | 30      | 1,1/2 | 75     | 26,5   | 55     | 250 | 3625.9 |
| 102758 | ACERO INOXIDABLE | S    | 38      | 1,1/2 | 79     | 26     | 55     | 250 | 3625.9 |
| 102759 | ACERO INOXIDABLE | S    | 38      | 1     | 75     | 26     | 55     | 250 | 3625.9 |
| 102761 | ACERO INOXIDABLE | S    | 38      | 3/4   | 73     | 26     | 55     | 250 | 3625.9 |
| 102762 | ACERO INOXIDABLE | S    | 38      | 1,1/4 | 77     | 26     | 55     | 250 | 3625.9 |
| 123823 | ACERO INOXIDABLE | S    | 20      | 1/4   | 54     | 20,5   | 32     | 250 | 3625.9 |