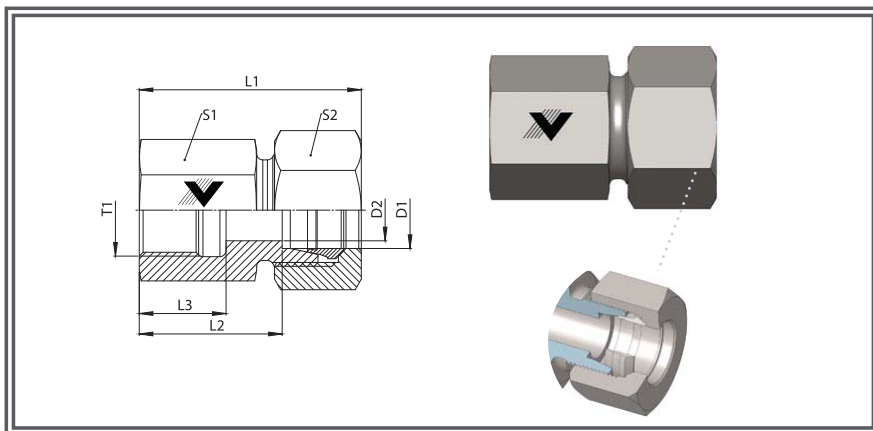


SECCION 6 REDUCCIONES

RACOR HEMBRA BSP C2B51

Straight Female Connector
L and S Series
Female Thread: BSPP

SERIES:
LL= Doble Ligera
L= Ligera
S= Pesada



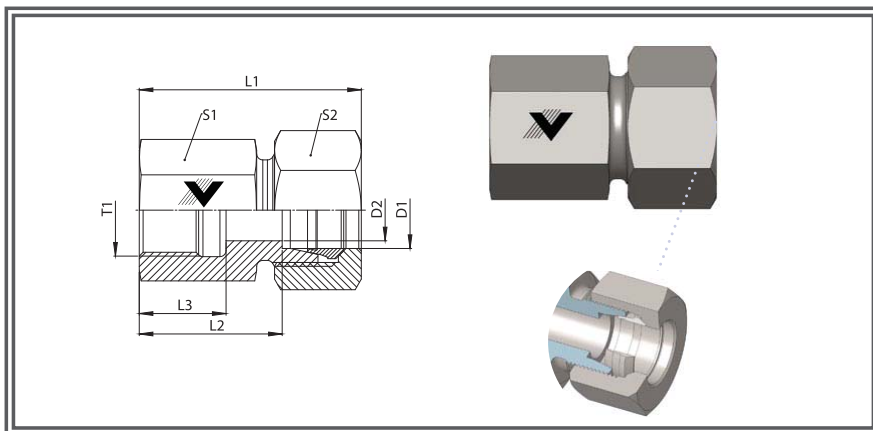
| CODIGO | MATERIAL | TIPO | D1(MM) | T1(MM) | L1(MM) | S1(MM) | BAR | PSI |
|--------|------------------|------|--------|--------|--------|--------|-----|--------|
| 102023 | ACERO INOXIDABLE | L | 6 | 1/8 | 34 | 14 | 315 | 4568.7 |
| 102025 | ACERO INOXIDABLE | L | 6 | 1/4 | 39 | 19 | 315 | 4568.7 |
| 102035 | ACERO INOXIDABLE | L | 8 | 1/4 | 39 | 19 | 315 | 4568.7 |
| 102038 | ACERO INOXIDABLE | L | 8 | 3/8 | 39 | 24 | 315 | 4568.7 |
| 102036 | ACERO INOXIDABLE | L | 8 | 1/2 | 44 | 27 | 315 | 4568.7 |
| 102049 | ACERO INOXIDABLE | L | 10 | 1/4 | 40 | 18 | 315 | 4568.7 |
| 102052 | ACERO INOXIDABLE | L | 10 | 3/8 | 40 | 24 | 315 | 4568.7 |
| 102050 | ACERO INOXIDABLE | L | 10 | 1/2 | 45 | 27 | 315 | 4568.7 |
| 102065 | ACERO INOXIDABLE | L | 12 | 3/8 | 41 | 24 | 315 | 4568.7 |
| 102066 | ACERO INOXIDABLE | L | 12 | 1/2 | 45 | 27 | 315 | 4568.7 |
| 102086 | ACERO INOXIDABLE | L | 15 | 1/2 | 46 | 27 | 315 | 4568.7 |
| 102100 | ACERO INOXIDABLE | L | 18 | 1/2 | 47 | 27 | 315 | 4568.7 |
| 102103 | ACERO INOXIDABLE | L | 18 | 3/8 | 44 | 27 | 315 | 4568.7 |
| 102112 | ACERO INOXIDABLE | L | 22 | 3/4 | 52 | 36 | 160 | 2320.6 |
| 102119 | ACERO INOXIDABLE | L | 28 | 1 | 55 | 41 | 160 | 2320.6 |
| 102124 | ACERO INOXIDABLE | L | 35 | 1,1/4 | 63 | 55 | 160 | 2320.6 |
| 102130 | ACERO INOXIDABLE | L | 42 | 1,1/2 | 66 | 60 | 160 | 2320.6 |
| 102028 | ACERO INOXIDABLE | S | 6 | 1/4 | 41 | 19 | 400 | 5801.5 |
| 102040 | ACERO INOXIDABLE | S | 8 | 1/4 | 41 | 19 | 400 | 5801.5 |
| 102054 | ACERO INOXIDABLE | S | 10 | 3/8 | 43 | 24 | 400 | 5801.5 |
| 102073 | ACERO INOXIDABLE | S | 12 | 3/8 | 43 | 24 | 400 | 5801.5 |
| 102074 | ACERO INOXIDABLE | S | 112 | 1/2 | 47 | 27 | 400 | 5801.5 |
| 102077 | ACERO INOXIDABLE | S | 14 | 1/2 | 50 | 30 | 400 | 5801.5 |
| 102091 | ACERO INOXIDABLE | S | 116 | 1/2 | 50 | 27 | 400 | 5801.5 |
| 102105 | ACERO INOXIDABLE | S | 20 | 3/4 | 56 | 36 | 315 | 4568.7 |

SECCION 6 REDUCCIONES

RACOR HEMBRA BSP
C2B51

Straight Female Connector
L and S Series
Female Thread: BSPP

SERIES:
LL= Doble Ligera
L= Ligera
S= Pesada



| CODIGO | MATERIAL | TIPO | D1(MM) | T1(MM) | L1(MM) | S1(MM) | BAR | PSI |
|--------|------------------|------|--------|--------|--------|--------|-----|--------|
| 102166 | ACERO INOXIDABLE | S | 25 | 1 | 61,5 | 41 | 315 | 4568.7 |
| 102121 | ACERO INOXIDABLE | S | 30 | 1,1/4 | 68,5 | 55 | 315 | 4568.7 |
| 102127 | ACERO INOXIDABLE | S | 38 | 1,1/2 | 74,5 | 60 | 250 | 3625.9 |