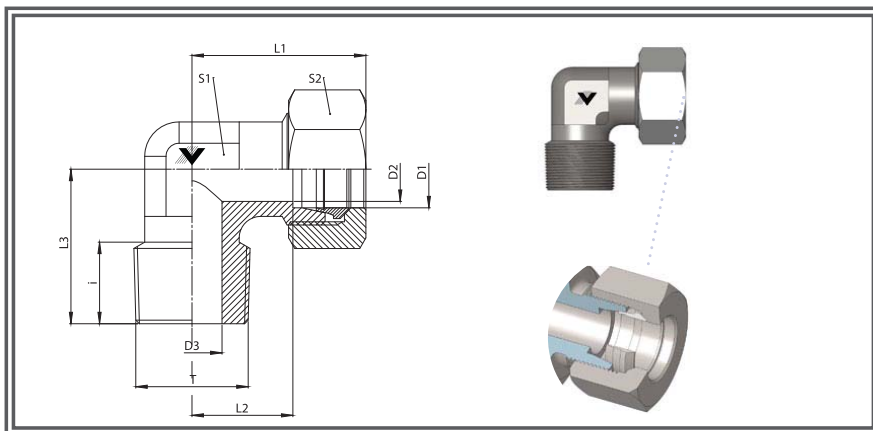


SECCION 2 RACORES

RACOR CODO NPT C2B22

Male Stud Elbow
L Series
Thread: BSPT

SERIES:
LL= Doble Ligera
L= Ligera
S= Pesada



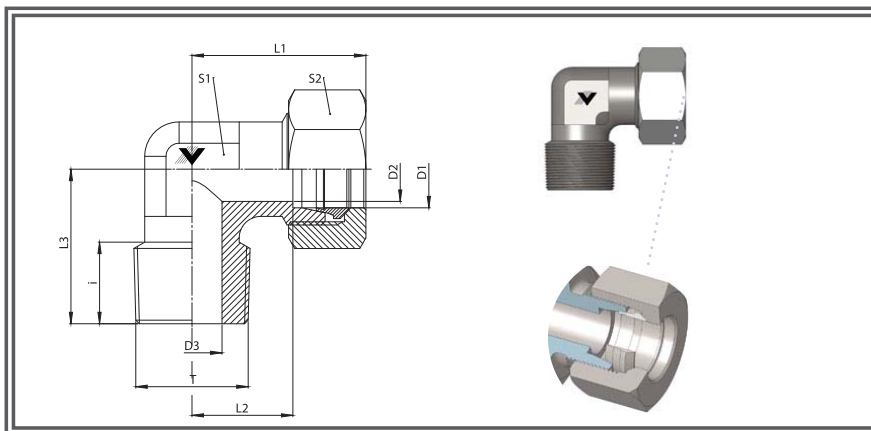
CODIGO	MATERIAL	TIPO	D1 (MM)	T	L1(MM)	L2(MM)	S1(MM)	BAR	PSI
105538	ACERO INOXIDABLE	LL	4	1/8	21	11	9	100	1450.4
105545	ACERO INOXIDABLE	LL	6	1/8	21	9,5	9	100	1450.4
105573	ACERO INOXIDABLE	LL	8	1/8	23	11,5	12	100	1450.4
105542	ACERO INOXIDABLE	L	6	1/8	27	12	12	315	4568.7
105543	ACERO INOXIDABLE	L	6	1/4	29	14	12	315	4568.7
105544	ACERO INOXIDABLE	L	6	3/8	33	18	17	315	4568.7
105570	ACERO INOXIDABLE	L	8	1/8	29	14	12	315	4568.7
105571	ACERO INOXIDABLE	L	8	1/4	29	14	12	315	4568.7
105595	ACERO INOXIDABLE	L	10	1/4	30	15	14	315	4568.7
105597	ACERO INOXIDABLE	L	10	3/8	32	17	17	315	4568.7
105614	ACERO INOXIDABLE	L	12	1/4	32	17	17	315	4568.7
105615	ACERO INOXIDABLE	L	12	3/8	32	17	17	315	4568.7
105617	ACERO INOXIDABLE	L	12	1/2	36	21	19	315	4568.7
105641	ACERO INOXIDABLE	L	15	1/2	36	21	19	315	4568.7
105659	ACERO INOXIDABLE	L	18	1/2	40	23,5	24	315	4568.7
105682	ACERO INOXIDABLE	L	22	3/4	44	27,5	27	160	2320.6
105700	ACERO INOXIDABLE	L	28	3/4	49	30	36	160	2320.6
105702	ACERO INOXIDABLE	L	28	1	47	30,5	36	160	2320.6
105720	ACERO INOXIDABLE	L	35	1.1/4	56	34,5	41	160	2320.6
105735	ACERO INOXIDABLE	L	42	1,1/2	63	40	50	160	2320.6
105561	ACERO INOXIDABLE	S	6	1/4	31	16	12	630	9137.4
105584	ACERO INOXIDABLE	S	8	1/4	32	17	14	630	9137.4
105585	ACERO INOXIDABLE	S	8	3/8	33	18	17	630	9137.4
105587	ACERO INOXIDABLE	S	8	1/2	38	23	19	630	9137.4
105606	ACERO INOXIDABLE	S	10	1/2	40	19	19	630	9137.4

SECCION 2 RACORES

RACOR CODO NPT
C2B22

Male Stud Elbow
L Series
Thread: BSPT

SERIES:
LL= Doble Ligera
L= Ligera
S= Pesada



CODIGO	MATERIAL	TIPO	D1 (MM)	T	L1(MM)	L2(MM)	S1(MM)	BAR	PSI
105607	ACERO INOXIDABLE	S	10	1/4	34	17,5	17	630	9137.4
105608	ACERO INOXIDABLE	S	10	3/8	34	17,6	17	630	9137.4
105626	ACERO INOXIDABLE	S	12	1/4	38	21,5	17	630	9137.4
105628	ACERO INOXIDABLE	S	12	3/8	38	21,5	17	630	9137.4
105629	ACERO INOXIDABLE	S	12	1/2	38	21,5	17	630	9137.4
105634	ACERO INOXIDABLE	S	14	1/2	40	22	19	630	9137.4
105652	ACERO INOXIDABLE	S	16	1/2	43	24,5	24	400	5801.5
105672	ACERO INOXIDABLE	S	20	3/4	48	26,5	27	400	5801.5
105692	ACERO INOXIDABLE	S	25	1	54	30	36	400	5801.5
105712	ACERO INOXIDABLE	S	30	1,1/4	62	35,5	41	400	5801.5
105727	ACERO INOXIDABLE	S	38	1,1/2	72	41	50	315	4568.7