

ANILLO DE COMPRESION
C2L13

Cutting Ring

LL, L and S Series

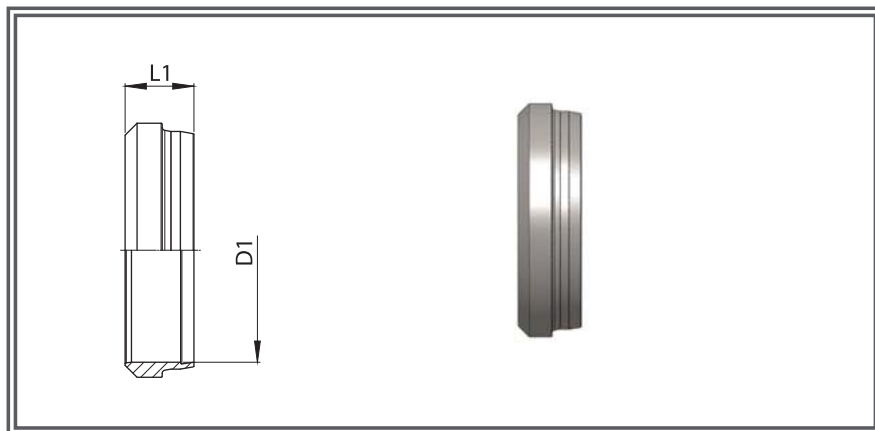
surface: hardened and sealed

SERIES:

LL= Doble Ligera

L= Ligera

S= Pesada



CODIGO	MATERIAL	DIAMETRO	TIPO	L1(MM)	BAR	PSI
104318	ACERO INOXIDABLE	4	LL	6	100	145037.0
104322	ACERO INOXIDABLE	6	LL	7	100	145037.0
104325	ACERO INOXIDABLE	8	LL	7	100	145037.0
104328	ACERO INOXIDABLE	10	LL	8	100	145037.0
124892	ACERO INOXIDABLE	12	LL	7,5	100	145037.0
103426	ACERO INOXIDABLE	6	L	10	500	7251.9
103428	ACERO INOXIDABLE	8	L	9,5	500	7251.9
103431	ACERO INOXIDABLE	10	L	10	500	7251.9
103432	ACERO INOXIDABLE	12	L	10	400	5801.5
103437	ACERO INOXIDABLE	15	L	10	400	5801.5
103439	ACERO INOXIDABLE	18	L	10	400	5801.5
103441	ACERO INOXIDABLE	22	L	10,5	250	3625.9
103443	ACERO INOXIDABLE	28	L	11	250	3625.9
103447	ACERO INOXIDABLE	35	L	13	250	3625.9
103449	ACERO INOXIDABLE	42	L	13	250	3625.9
103426	ACERO INOXIDABLE	6	S	10	800	11603.0
103428	ACERO INOXIDABLE	8	S	9,5	800	11603.0
103431	ACERO INOXIDABLE	10	S	10	800	11603.0
103432	ACERO INOXIDABLE	12	S	10	630	9137.4
103435	ACERO INOXIDABLE	14	S	10	630	9137.4
103438	ACERO INOXIDABLE	16	S	10,5	630	9137.4
103440	ACERO INOXIDABLE	20	S	12	420	6091.6
103442	ACERO INOXIDABLE	25	S	12	420	6091.6
103445	ACERO INOXIDABLE	30	S	13	420	6091.6
103448	ACERO INOXIDABLE	38	S	13	420	6091.6