

6000 Series Square Pattern



FLOW, NEEDLE & CHECK VALVES
HYDRAULIC BALL VALVES

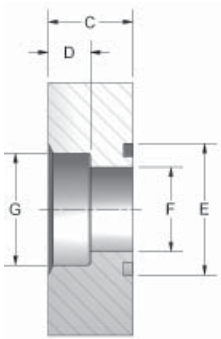
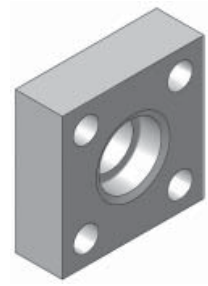


Figure 1

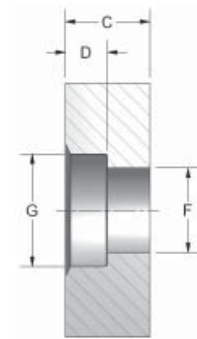
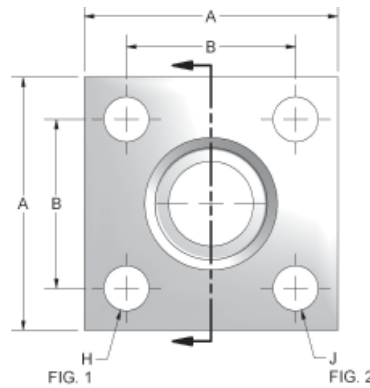


Figure 2

WELD COUPLINGS

6000 SERIES SQUARE SOCKET WELD - PIPE													
PART NO. O-RING FIG. 1	PART NO. FLAT FACE FIG. 2	PIPE SIZE	A	B	C	D	E	F	G	H	J UNC-2B	MOUNTING HARDWARE	
												O-RING	SHCS
W56-40	W57-40	2.50	5.50	3.750	1.75	.75	2.995	2.12	2.911	.94	7/8-9	232	7/8-9X3.50
W56-48	W57-48	3.00	6.75	4.750	2.00	.75	3.615	2.62	3.540	1.06	1-8	236	1-8X4.00
W56-56	W57-56	3.50	8.00	5.500	2.40	1.002	3.990	3.00	4.045	1.31	1 1/4-7	342	1 1/4X5.00
W56-64	W57-64	4.00	8.50	6.000	2.40	1.002	4.490	3.44	4.550	1.31	1 1/4-7	346	1 1/4X6.00
W56-80	W57-80	5.00	10.00	7.250	2.90	1.002	5.365	4.31	5.625	1.56	1 1/2-6	353	1 1/2X6.00

FLANGES